



# FIREBASE RACING CHAIR

INSTRUCTION MANUAL

ADXRACEPK25/ADXRACEWH25



# Safety Warnings

---

Read all the instructions carefully before using the unit and keep them for future reference. Retain the manual. If you pass the unit onto a third party, make sure to include this safety and the instruction manual.

## **Caution!**

- After unpacking, make sure the product is complete and undamaged.
- Keep all packaging material (plastic bags, polystyrene foam) out of reach of children.
- Use the product on a flat surface.
- Do not use the product in case of obvious damage.

## **Warnings!**

- Only use this product when fully assembled.
- Assembly only by adults.
- Do not overload your chair.
- Incorrect assembly can result in severe personal injury and property damage.
- Do not tilt the chair or lean over the sides – always ensure all casters are firmly placed on a level surface.
- Children should not play with the chair.
- Do not sit on the armrests.
- Do not lean over the armrests. This could cause the product to become unbalanced and result in injury.
- Always use the chair on a flat, stable surface to prevent injury.
- Do not use on slippery floor.
- Do not stand on the chair.
- If the damaged product is irreparable please dispose of the product. Using a damaged product may lead to personal injury.
- This product is intended for indoor household use.
- Do not try to replace or repair the gas lift.
- Do not put your fingers into the gaps of revolving parts.
- Fastening parts and wearing parts should regularly be checked for tightness and abrasion.
- To clean the unit, wipe the surface with a slightly moist, lint-free cloth.
- Do not use any cleaning fluids containing alcohol, ammonia or abrasives.
- Keep the original packaging for any future transporting requirements.
- Instruction manual needs to be kept for further inquiries and references.
- Refer to the instruction manual for safe assembling.
- Danger might occur due to wrong assembling.
- Do not leave your child unsupervised.

**CUSTOMER HELPLINE (UK Customers Only)**

**0344 561 1234**



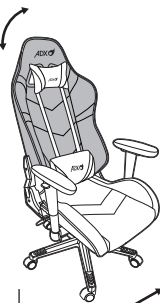
**130 kg**

1280 – 1375 mm



385 – 475 mm

135°

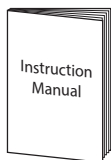


710 mm

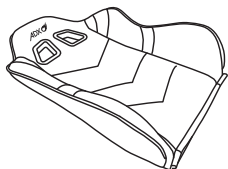
360°



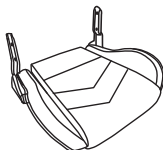
<730 mm



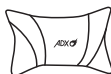
**A** × 1



**B** × 1



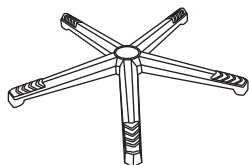
**C** × 1



**D** × 1



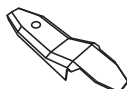
**E** × 1



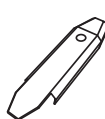
**F** × 5



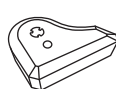
**G** × 1



**H** × 1



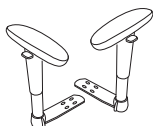
**I** × 1



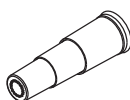
**J** × 1



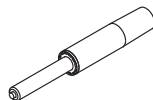
**K** × 1



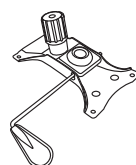
**L** × 1



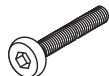
**M** × 1



**N** × 1



**O** × 16



Ø8 × 22 mm

**P** × 4



Ø5 × 10 mm

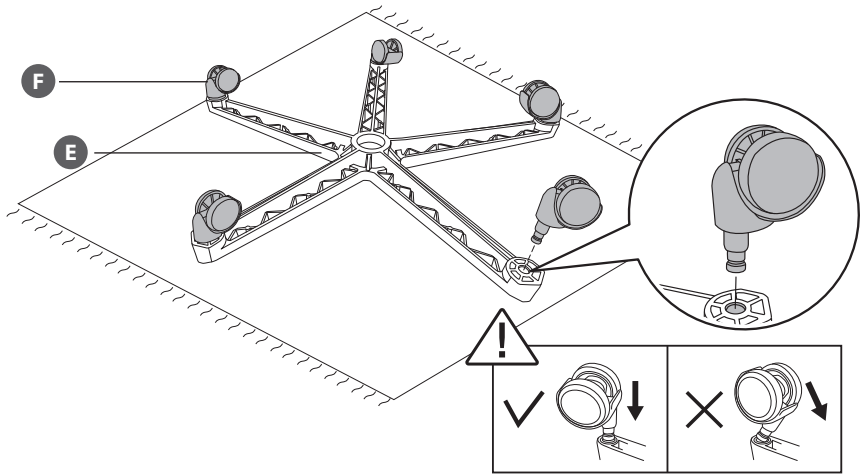
**Q** × 4



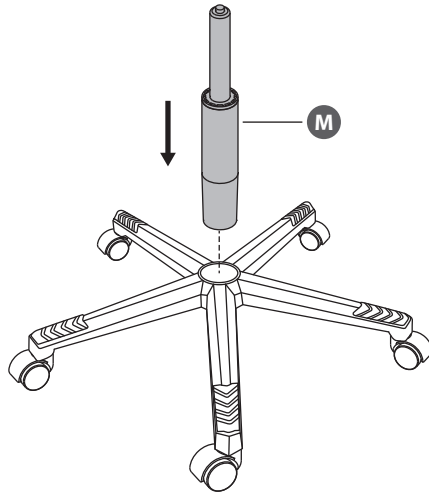
**R** × 1



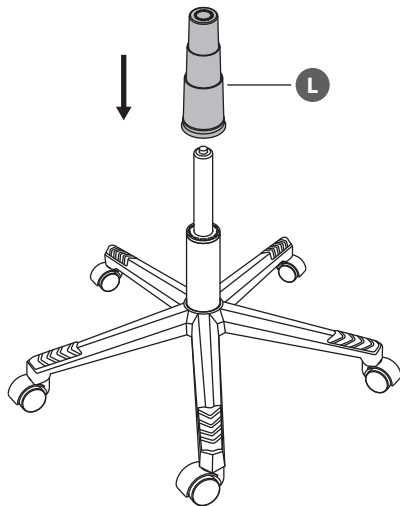
1



2



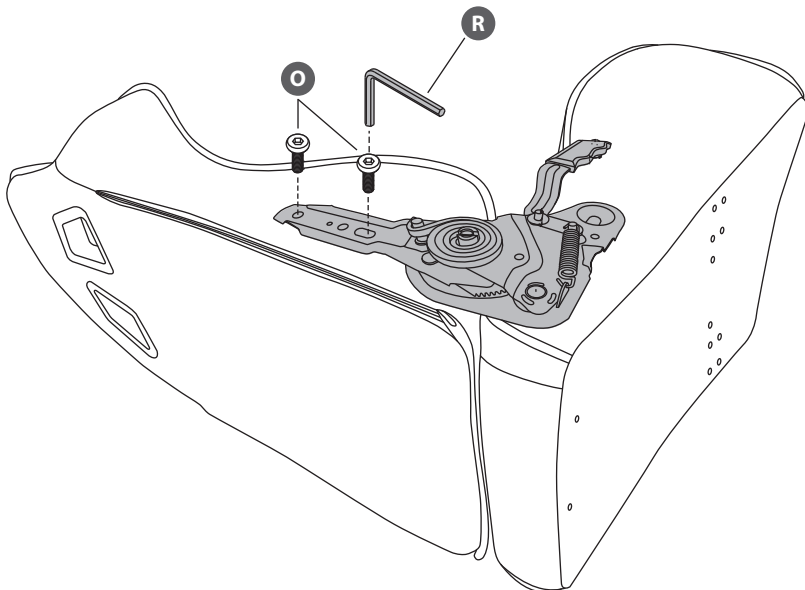
3



4



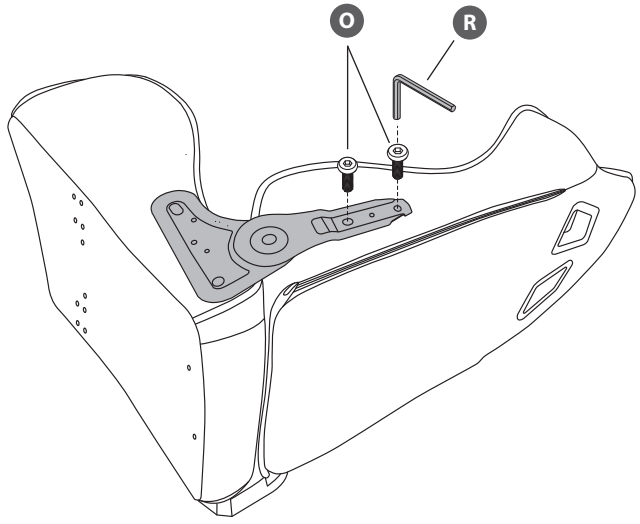
Do not overtighten the screws during step 4 and 5.



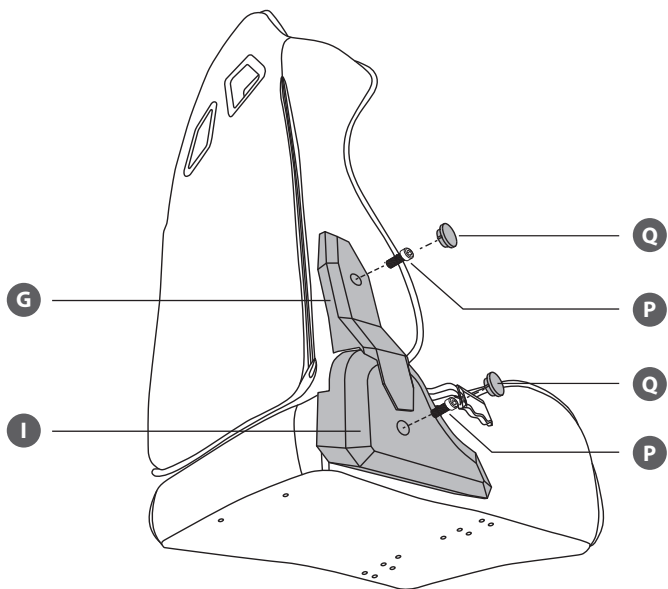
5



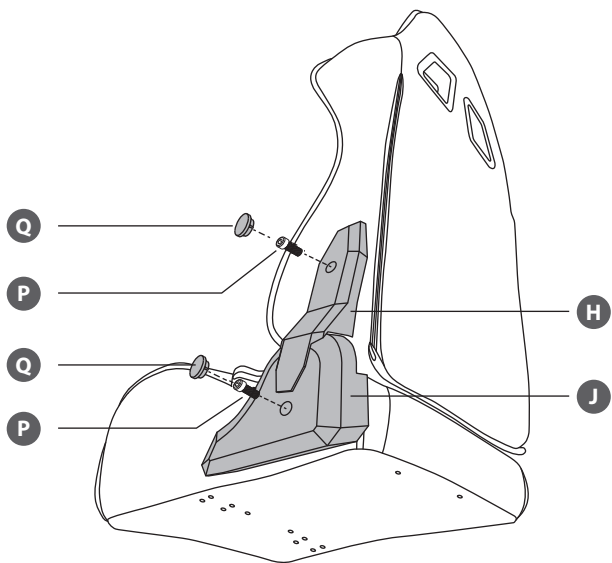
If you find difficult to insert the screws, slightly loosen the screws installed in step 4.



6

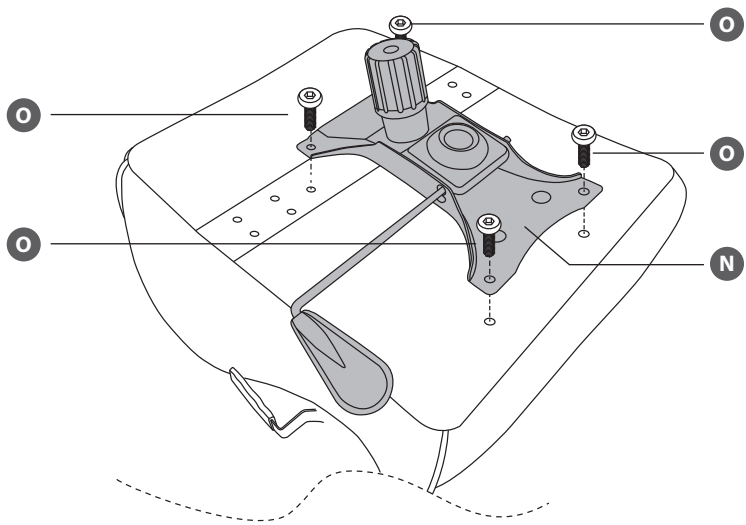


7

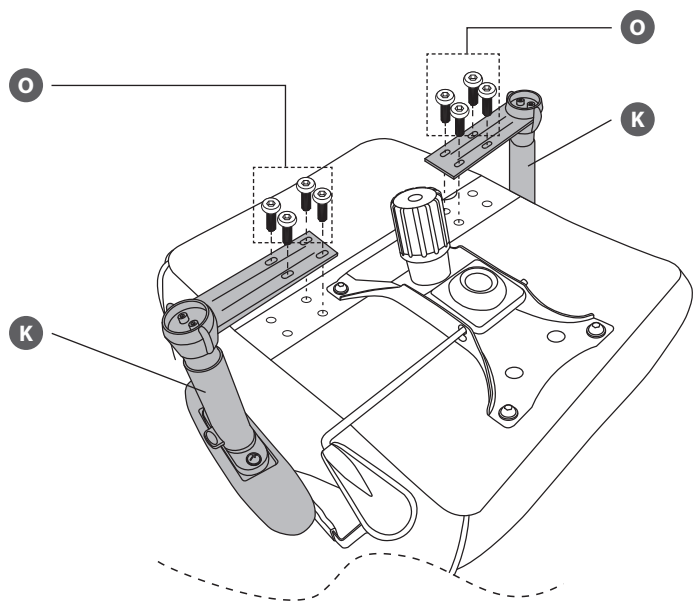




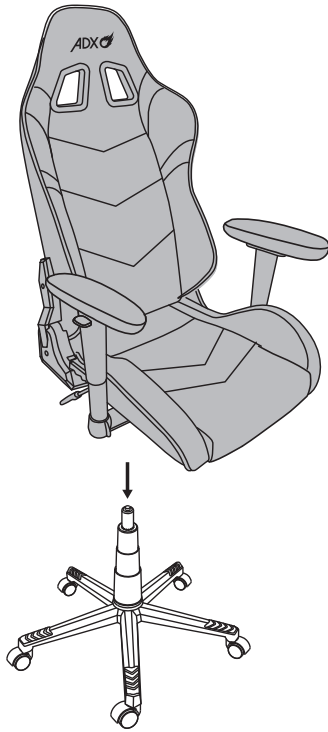
8



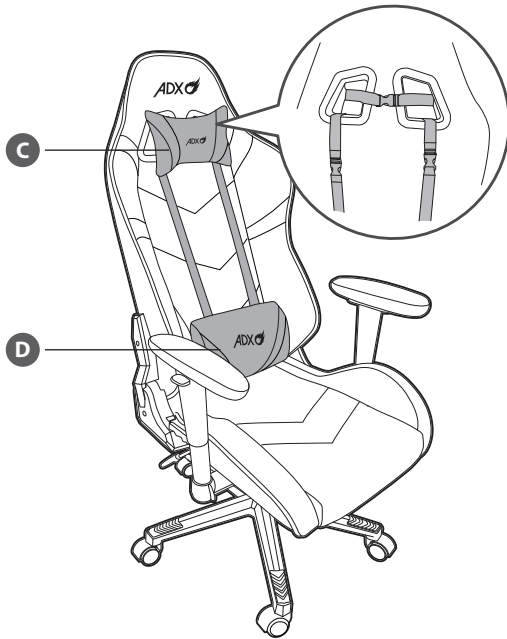
9



10



11





**Currys.co.uk**

**All the support you need.**

Whether it's a tech emergency or you need plain good advice, we're always on hand to help.

UK: 0344 561 1234

IRE: 0818 810575

**Partmaster**  
\_co.uk

Visit [Partmaster.co.uk](http://Partmaster.co.uk) today for the easiest way to buy electrical spares and accessories. With over 1 million spares and accessories available we can deliver direct to your door the very next day. Visit [www.partmaster.co.uk](http://www.partmaster.co.uk) or call **0344 800 3456** (UK customers only). Calls charged at National Rate.



The symbol on the product or its packaging indicates that this product must not be disposed of with your other household waste. Instead, it is your responsibility to dispose of your waste equipment by handing it over to a designated collection point for the recycling of waste electrical and electronic equipment. The separate collection and recycling of your waste equipment at the time of disposal will help conserve natural resources and ensure that it is recycled in a manner that protects human health and the environment.

For more information about where you can drop off your waste for recycling, please contact your local authority, or where you purchased your product.

Currys Group Limited (co. no. 504877)  
1 Portal Way, London, W3 6RS, UK

**EU Representative**

Currys Ireland Limited (259460)  
3rd Floor Office Suite  
Omni Park SC, Santry, Dublin 9, Republic of Ireland